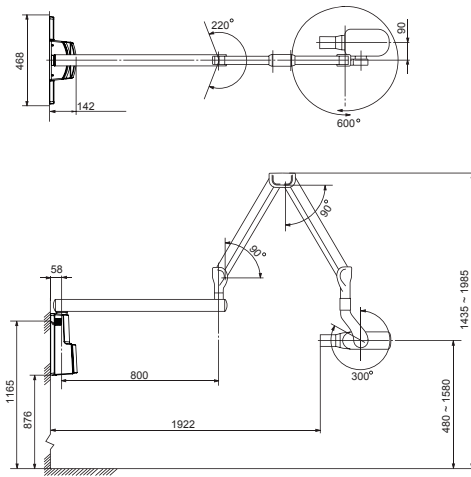


PHOT-X IS

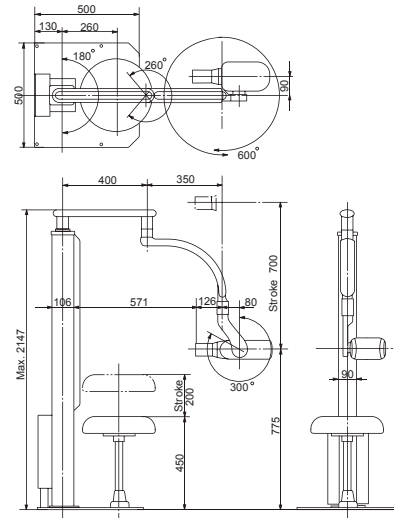
DC Dental X-ray

Dimensions

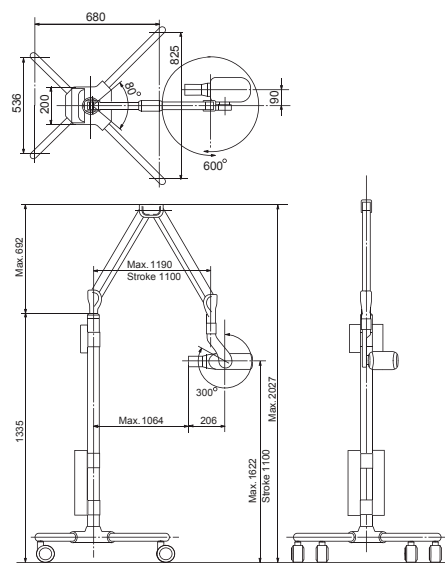
WK Type



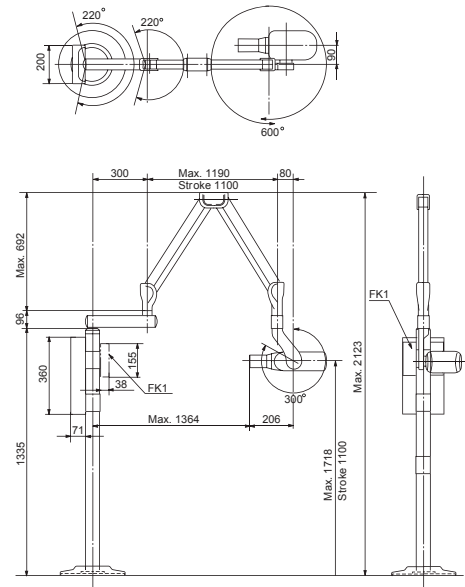
RK Type



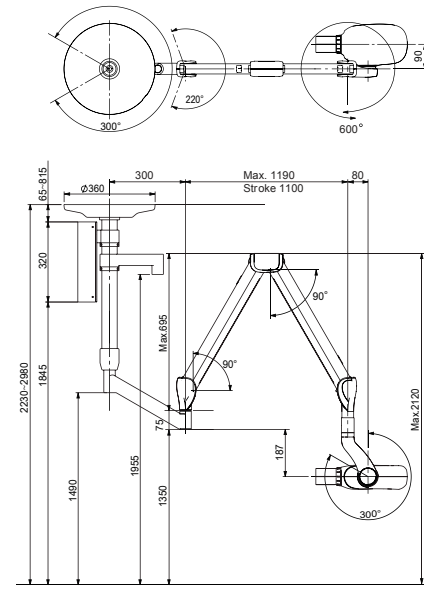
FM Type



FK1 Type



CK Type



[mm]

PHOT-X IS



DC Dental X-ray

The manufacturer reserves the right to alter or improve specifications without notice.

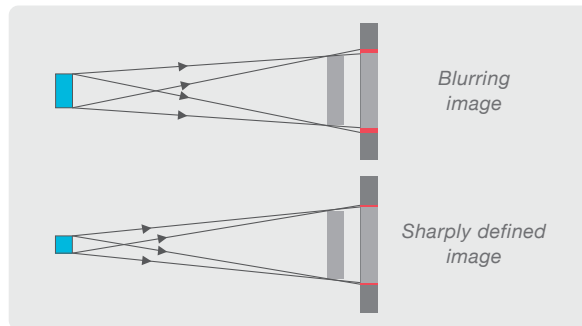


TAKARA BELMONT CORPORATION
 OSAKA HEADQUARTERS : 2-1-1, HIGASHI-SHINSAIBASHI, CHUO-KU, OSAKA, JAPAN 542-0083
 TEL.+81-6-6213-5945 FAX.+81-6-6212-3680 <http://www.takarabelmont.co.jp>



Reliable DC X-ray by Belmont

Features



Belmont's High Frequency Technology allows for

- Reduced skin dosage with optimum radiation level for every diagnostic need
- Ideal matching for digital imaging system
- High resolution image by a small focal spot
- Easy to position compact head

Small 0.4 focal spot value for the sharpest image possible

Reduced radiation dosage

DC constant tube potential decreases soft x-ray absorbed to the patient's tissue. An optional rectangular collimator attachment can reduce patient exposure to the absolute minimum.

Optimum radiation level for every patient

The operation is simple. Select patient type, select tooth and press the exposure switch. The manual override timer allows for adjustment of exposure time temporarily. The radiation output of the micro-computer controlled exposures can be read directly.

Easy customization to different films, sensors and techniques

Exposure time, cone type (SSD), mA, kV etc. can easily be selected by the control module. This will help the dentist to take a fine image according to the patient with the most suitable exposure setting for digital sensors as well as films.

Easy-to-position compact tube head

The tube head is light weight (4 kg), compact and easy to hold. This enables the operator to align the tube head accurately every time.

Five types of installations

- **WK** Wall mounted type
- **RK** Room type with stool
- **FM** Mobile type with castors
- **FK** Floor mounted. Controller can be installed on the pole (FK1) or on the wall (FK2)
- **CK** Ceiling mounted type
Dental light can be mounted on the pole as an option (CKL Type)



WK Type (Control module can be mounted on the central power console or on the wall)



RK Type



FM Type



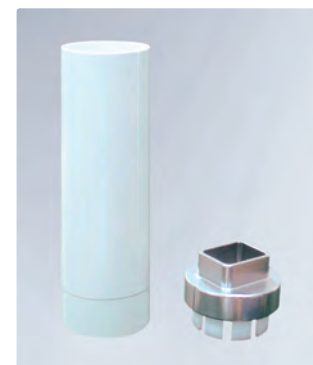
FK1 Type



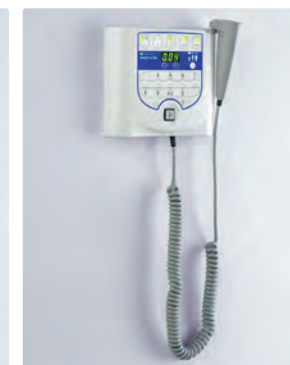
CK Type

Option

- Horizontal arm length of WK Type is selectable ; 300 mm, 500 mm, 650 mm, 800 mm (standard) and 1000 mm
- Ceiling pole length of CK/CKL Type is selectable ; 600 ~ 1350 mm
- Long cone for paralleling technique
- Rectangular collimator
- Hand exposure switch with coiled cord (Option for WK, CK, FK2 and RK. Standard for FM and FK1.)



Long cone Rectangular collimator



Hand exposure switch

Technical Specifications

Nominal focal spot value	0.4
Rated tube potential	60 kV / 70 kV (selectable)
Rated tube current	3 mA / 6 mA (selectable)
Rated line voltage	100/ 110/ 120/ 220/ 230/ 240 V AC 50/60 Hz
Rated line current	11.0 A (100 V), 10.5 A (110 V), 10.0 A (120 V), 6.4 A (220 V), 6.2 A (230 V), 6.0 A (240 V) at 70 kV / 6 mA
Line voltage range	±10 %
Exposure time	0.01 to 2.0 sec.
Total filtration	2.0 mmAl equivalent at 70 kV
Source-to-skin distance (SSD)	
Regular cone	203 mm
Long cone (option)	305 mm
Rectangular collimator (option)	SSD of cone +40 mm
Duty cycle	1:30
Half value layer	1.5 mmAl over
Density preprogram	
Film	16 programs
Digital Sensor	16 programs